

PowerSource

File: PS.kicad_sch

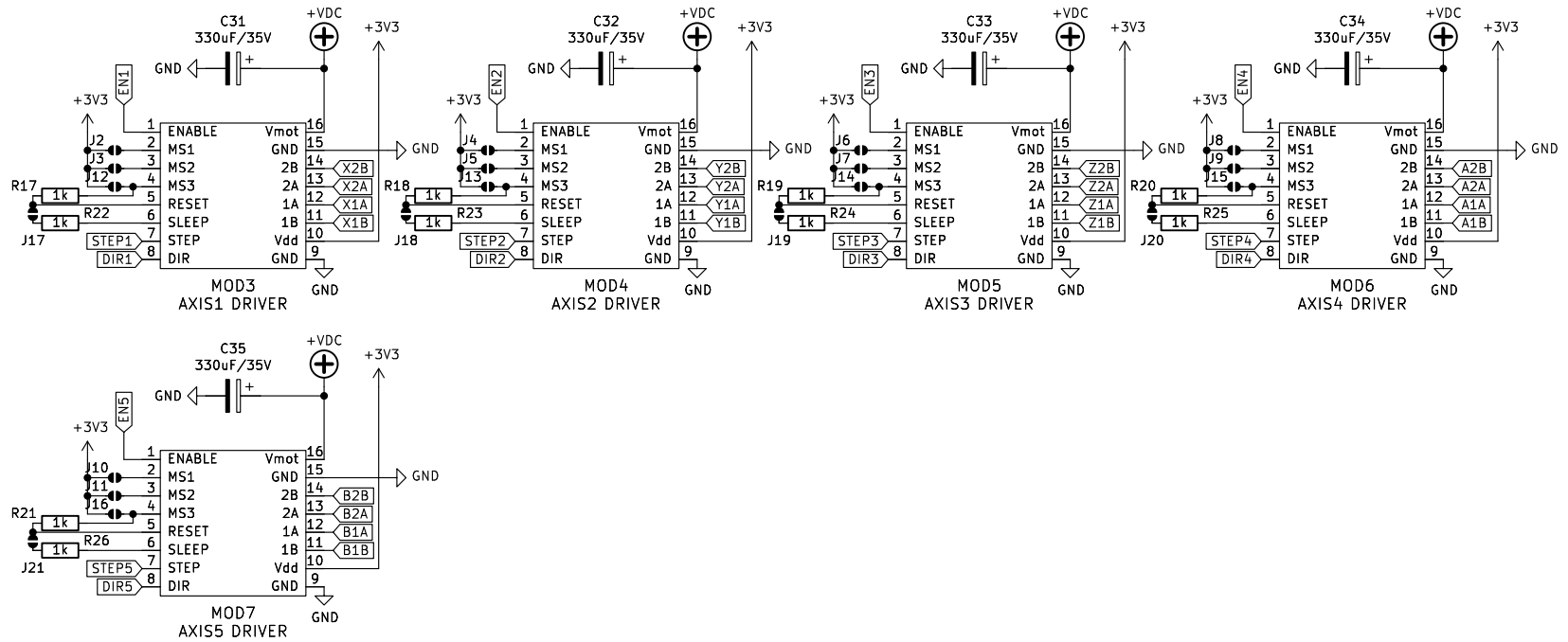
StepperMotors

File: StepperMotors.kicad_sch

INsOUTs

File: INsOUTs.kicad_sch

OpenPnP Driver	
Digital Devices	
Sheet: /	
File: OpenPnP_Driver.kicad_sch	
Title: OpenPnP Driver	
Size: A4	Date: 2023-07-15
KiCad E.D.A. kicad (7.0.0)	Rev: 1.3
	Id: 1/4



OpenPnP
Driver

Digital Devices

Sheet: /StepperMotors/
File: StepperMotors.kicad_sch

Title: OpenPNP Motors

Size: A4 Date: 2023-07-15

KiCad E.D.A. kicad (7.0.0)

Rev: 1.3

Id: 3/4

