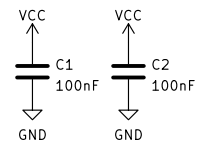
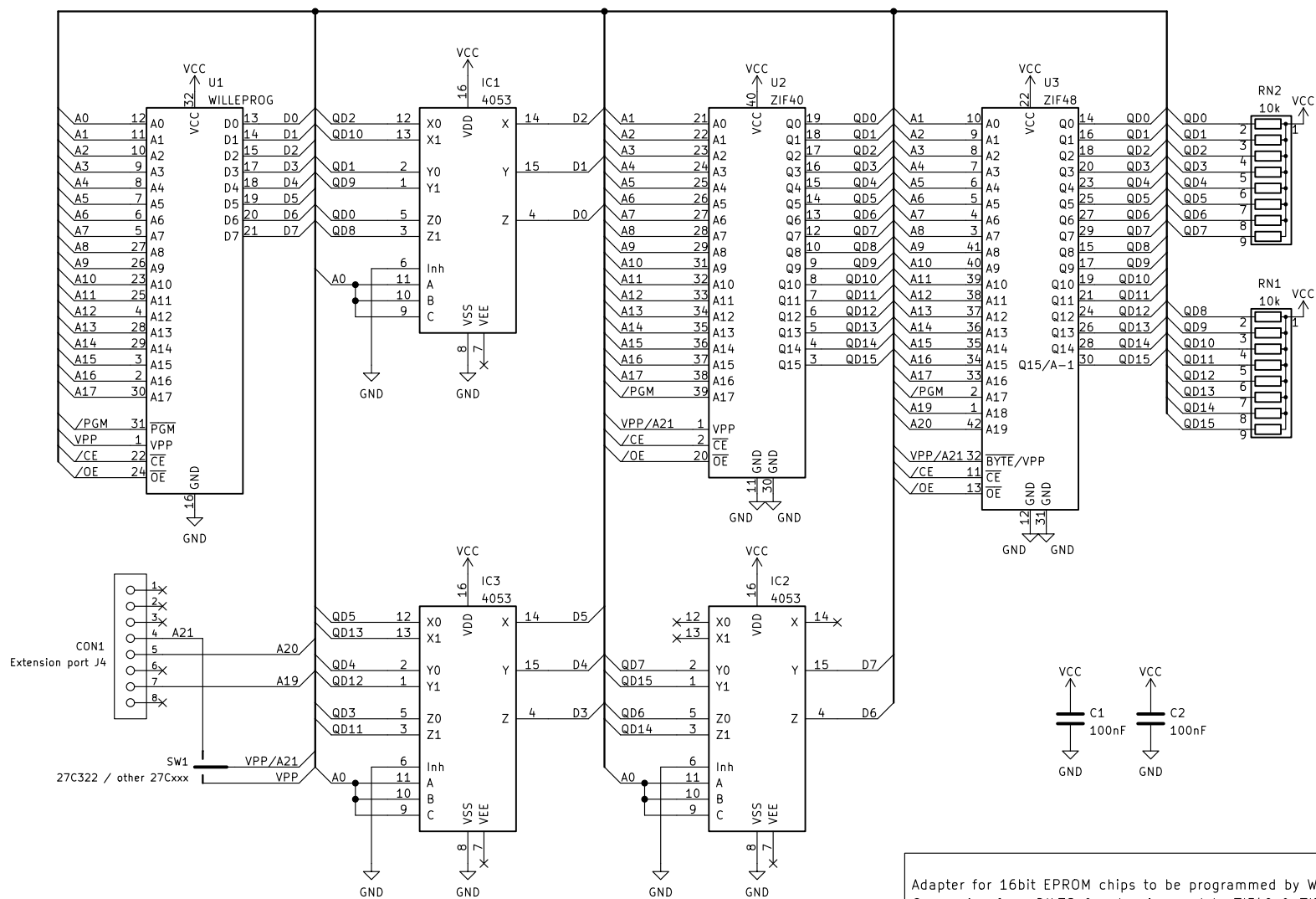


WILLEPROG

16x64K 27C1024
 16x128K 27C2048
 16x256K 27C240;27C4002;27C4096

16x256K 27C400
 16x512K 27C800
 16x1M 27C160
 16x2M 27C322



Adapter for 16bit EPROM chips to be programmed by Willem EPROM Programmer
 Conversion from DIL32 & extension port to ZIF40 & ZIF42

Designed by jopt

Digital Devices

Sheet: /
 File: Willeprog_EPROM_16bit_Adapter.kicad_sch

Title: WILLEM EPROM Programmer – EPROM 16bit Adapter

Size: A4 Date: 2022-02-12

Rev: 1.0

KiCad E.D.A. kicad (6.0.1)

Id: 1/1